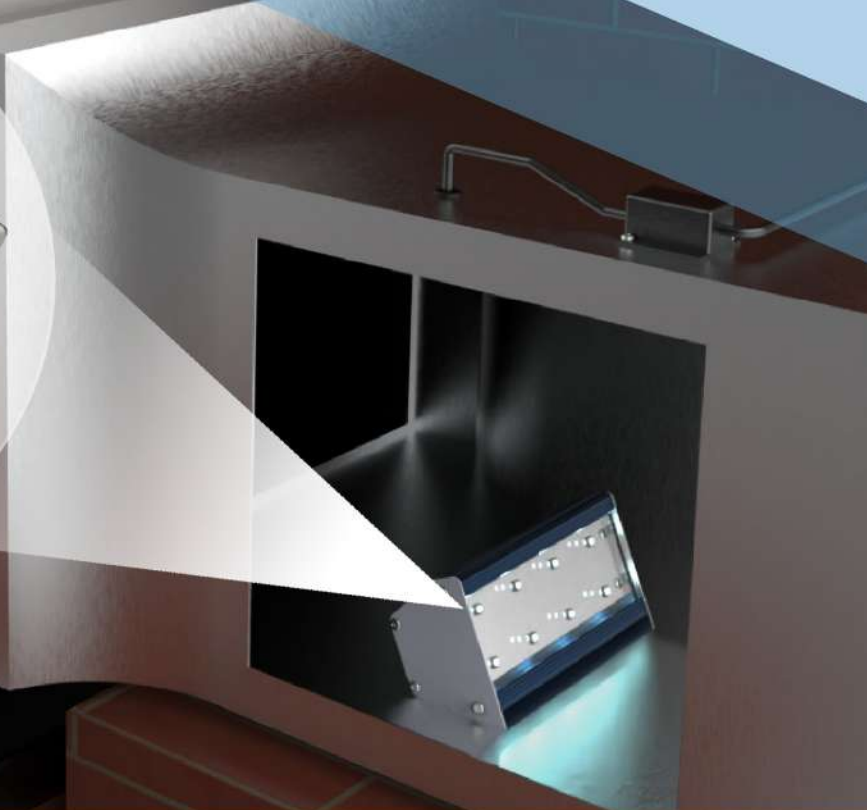




TITAN UVC LED LIGHT RESIDENTIAL

"UVC LED light that eradicates all indoor airborne viruses including COVID-19 virus, bacteria, fungi, allergens and more.."



TITAN

RESIDENTIAL UVC LED AIR DUCT LIGHT

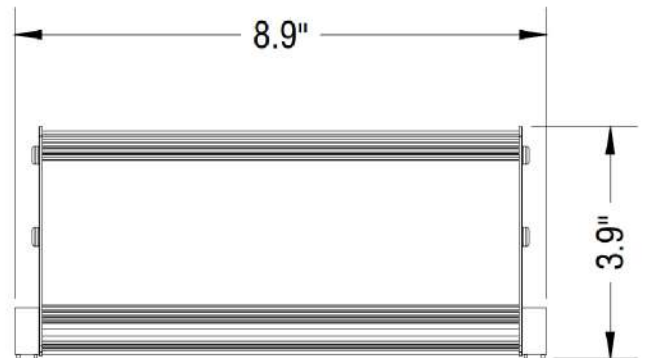


The Titan Residential Air Duct UVC LED Light has enough energy to break the carbon bonds of viruses, incapacitating their RNA and DNA strands so that they can no longer replicate and are eradicated.

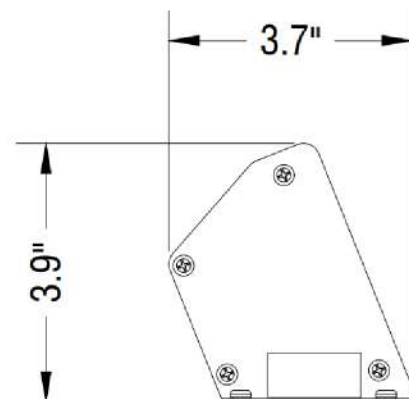
In addition to all variants of COVID-19 viruses, the TITAN UVC LED Residential light also eradicates indoor airborne cold and flu virus, bacteria, fungi, mold and allergens.

10"X12" duct/ Up to 900CFM
For larger air ducts and higher CFM,
multiple TITAN UV-C LED Units will be needed

WAVELENGTH	280nm
LED UV Power	25 watts
Radiant Flux	800 mW
Input Voltage	120-277v, 347v & 480v
Power Factor	0.9
Total Harmonic Distortion	<10%
Frequency	50/60
Light Beam Angle	130°
Operating Temp. Range	-40° C to 60°C (-40°F to 140°F)
Application	Disinfectant & Sterilization
Electrical Certification	ETL
Connection Type	Pig Tails
Surge Protection	6KV/4KV
IP Rating	IP65
Compliance	FDA



FRONT VIEW



SIDE VIEW

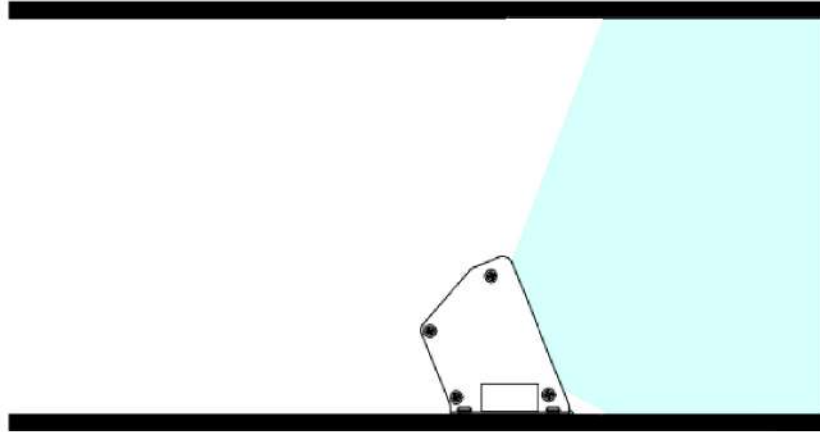
To be installed by trained licensed professionals ONLY

NOTE: Quick and easy installation can be on any of the surfaces,
top, bottom or side using NEXNORD's magnet system
. No need to drill holes to attach the fixture to the duct.

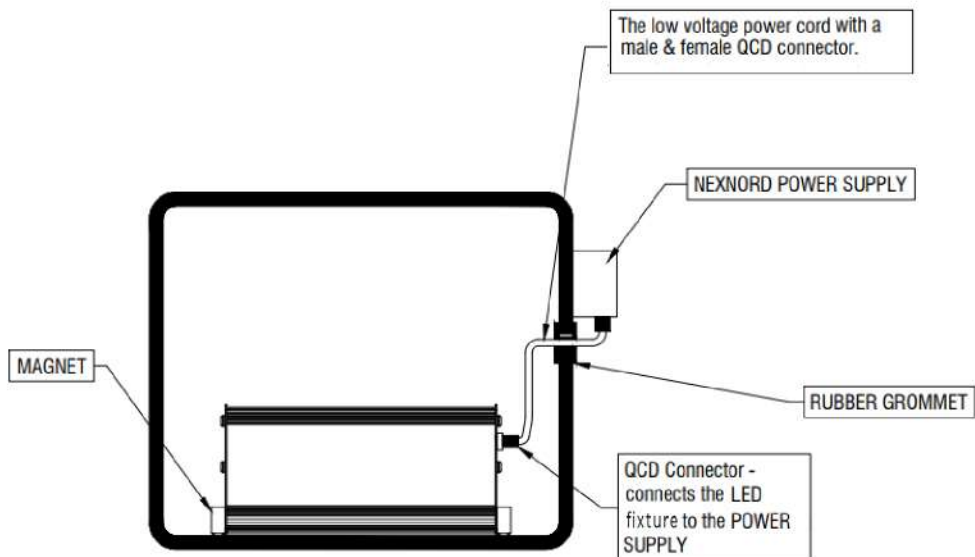
Titan Air Duct UVC LED Light vs Other Virus Disinfecting Methods

	Titan Air Duct UVC LED Light	Lamp Air Duct UVC Light	Defogger Chemical Cleaning	HEPA Filter
State of the art technology	Yes	No	N/A	No
Most powerful	Yes	No	No	No
Holds up to the furnace fan vibration	Yes	No	N/A	Yes
Rugged and robust	Yes	No	N/A	No
Suitable for air duct application	Yes	No	No	Yes
Eradicates indoor airborne COVID-19 virus	Yes	Yes	No	No
Enough power to combat indoor airborne viruses, bacteria, fungi, mold & allergens	Yes	No	No	No
Superior performance	Yes	No	No	No
Light comes on when the fan comes on	Yes	No	N/A	N/A
Shuts off when the fan shuts of to save energy and increase fixture life	Yes	No	N/A	N/A
Instant on, instant off	Yes	No	N/A	N/A
Saves 80% energy	Yes	No	N/A	N/A
Advanced thermal management	Yes	No	N/A	N/A
Environmentally friendly	Yes	No	No	No
Engineered for field serviceability with reusable 'plug and play' parts	Yes	No	N/A	N/A
RoHS (Restriction of Hazardous Substance) Compliant	Yes	No	No	Yes
Long Maintenance free life span	Yes	No	N/A	No
5 years maintenance free warranty	Yes	No	N/A	No
Dry or wet disinfection	Dry	Dry	Wet	N/A
Chemical residue build up over time	No	No	Yes	No
Needs to be continuously on	No	Yes	N/A	N/A
Requires frequent maintenance for lamp/filter replacment	No	Yes	N/A	Yes
Fragile lamps	No	Yes	N/A	N/A
Contains hazardous chemicals and mercury	No	Yes	Yes	No
Danger of mercury contamination inside the building	No	Yes	No	No
Becomes a biohazard	No	No	No	Yes

One fixture for up to 900 cfm duct



Add a second fixture for over 900 cfm duct



www.nexnord.com

111 Sherwood Drive, Unit 22,
Brantford, Ontario N3T 6J9

519-304-0372

info@nexnord.com